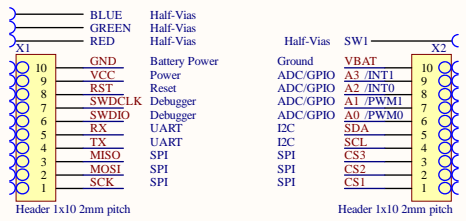
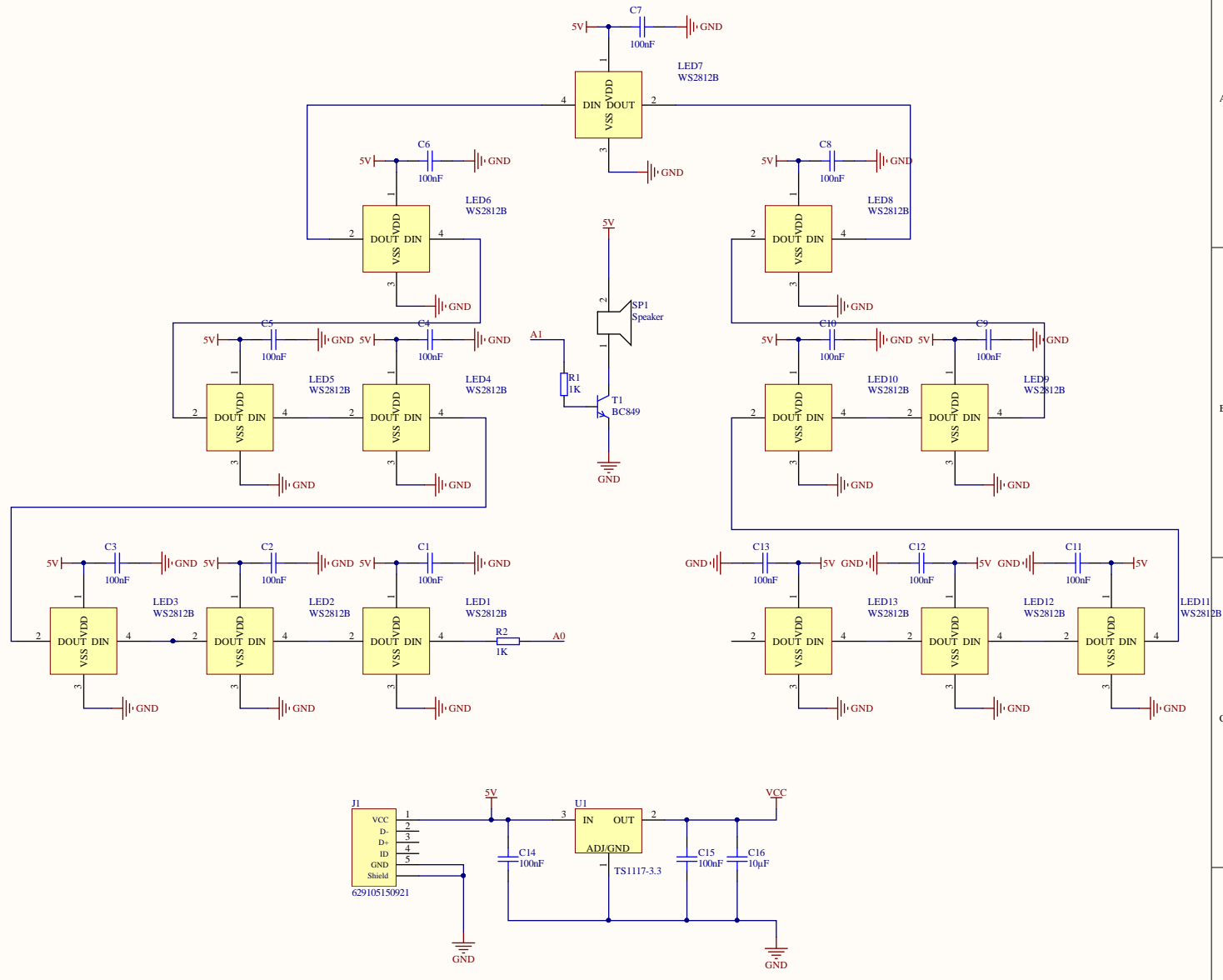
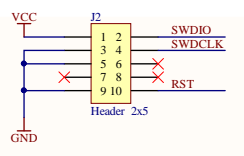
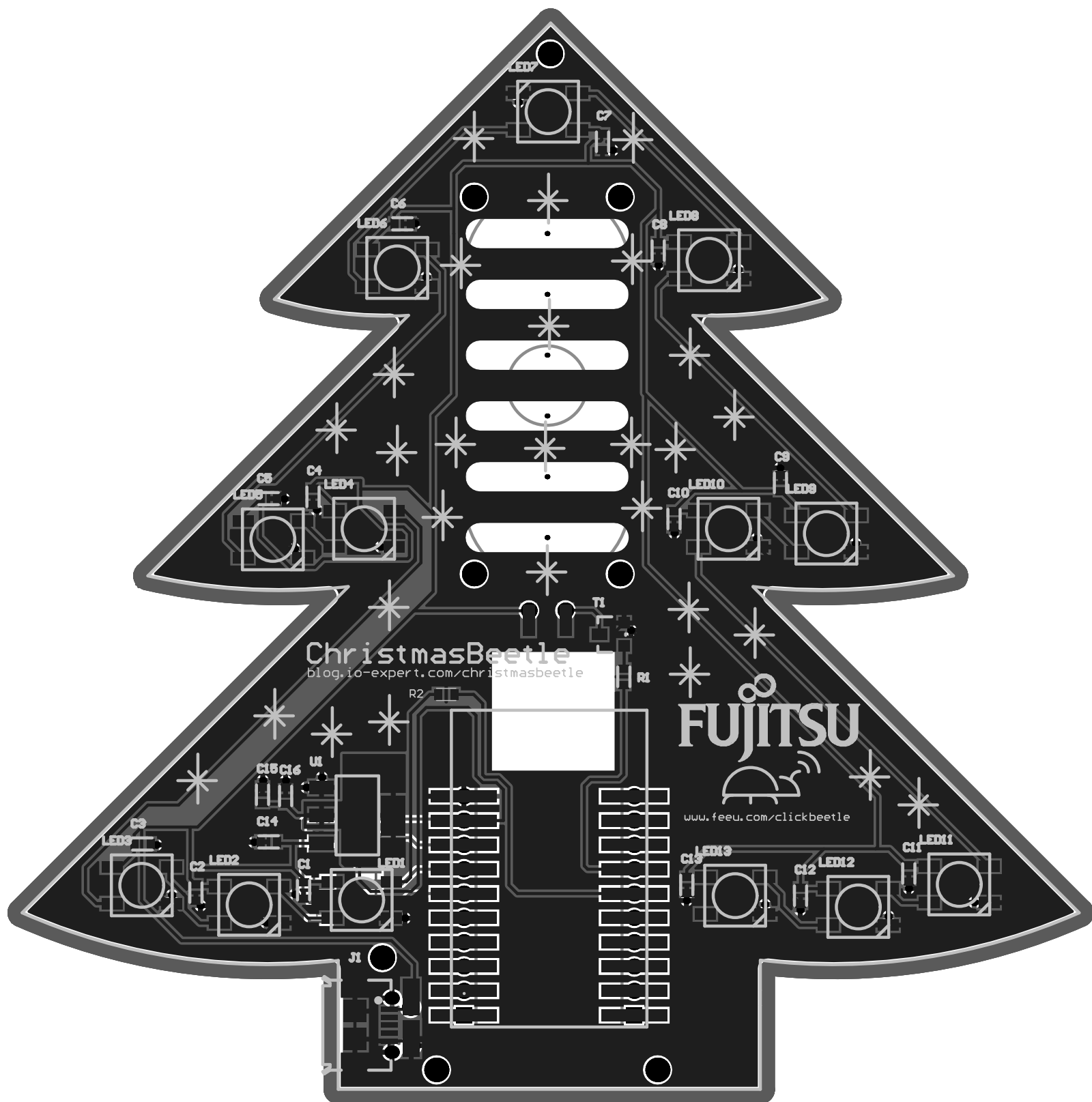


Interface




VBAT is always on and normally directly connected to the battery.
 VCC can be switched on/off by the PMIC, for example using Ambiq Micros RTC via SPI or I2C.





ChristmasBeetle
blog.io-expert.com/christmasbeetle

FUJITSU

www.feeu.com/clickbeetle